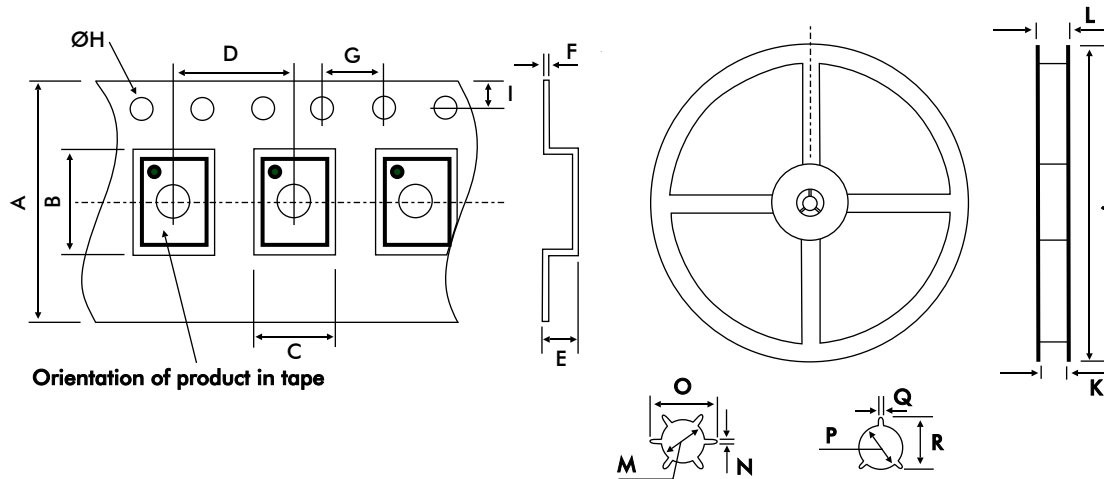


TAPE & REEL SPECIFICATIONS FOR CRYSTALS
Outlines and Dimensions

Tape Dimensions (mm) $\pm 0.3\text{mm}$

TYPE	A	B	C	D	E	F	G	H	I	pcs/reel
X21	8.00	2.30	1.90	4.00	0.60	0.20	4.00	$\text{\O}1.50$	1.75	3000
X22	8.00	2.80	2.25	4.00	1.10	0.30	4.00	$\text{\O}1.50$	1.75	3000
X32	8.00	3.40	2.70	4.00	1.40	0.25	4.00	$\text{\O}1.50$	1.75	3000
X42	12.00	4.30	2.80	8.00	1.00	0.30	4.00	$\text{\O}1.55$	1.75	1000
MJ	12.00	5.30	3.60	8.00	1.40	0.30	4.00	$\text{\O}1.55$	1.75	1000
MF	16.00	6.3	4.00	8.00	1.40	0.30	4.00	$\text{\O}1.50$	1.75	1000
MQ	16.00	7.20	5.40	8.00	1.80	0.30	4.00	$\text{\O}1.55$	1.75	1000
49USMX	24.00	15.00	5.00	12.00	4.25	0.40	4.00	$\text{\O}1.55$	1.75	1000
49USMXL	24.00	14.80	5.00	12.00	3.50	0.40	4.00	$\text{\O}1.55$	1.75	1000
MP4	24.00	13.30	5.10	12.00	4.20	0.40	4.00	$\text{\O}1.55$	1.75	1000
MP5	24.00	13.40	5.10	12.00	5.20	0.40	4.00	$\text{\O}1.55$	1.75	1000

Reel Dimensions (mm) $\pm 2\text{mm}$

TYPE	J	K	L	M	N	O	P	Q	R	pcs/reel
X21	178.0	8.40	11.40	-	-	-	13.0	2.5	20.5	3000
X22	178.0	8.40	11.40	-	-	-	13.0	2.5	20.5	3000
X32	180.0	9.00	12.00	-	-	-	13.2	2.1	-	3000
X42	180.0	13.00	16.00	-	-	-	13.2	2.5	-	1000
MJ	180.0	13.00	16.00	-	-	-	13.2	2.5	-	1000
MF	180.0	17.20	19.30	-	-	-	13.3	2.2	22.0	1000
MQ	180.0	17.20	19.30	-	-	-	13.3	2.2	22.0	1000
49USMX	330.0	24.50	29.10	-	-	-	13.0	2.2	17.3	1000
49USMXL	330.0	24.50	29.10	-	-	-	13.0	2.2	17.3	1000
MP4	330.0	24.50	29.10	-	-	-	13.0	2.2	17.3	1000
MP5	330.0	24.50	29.10	-	-	-	13.0	2.2	17.3	1000