

- Frequency 32.7680kHz
- Ultra-miniature size 5.0 x 1.9 x 0.9mm SMD
- Low mass and rugged construction
- Supplied taped and reeled



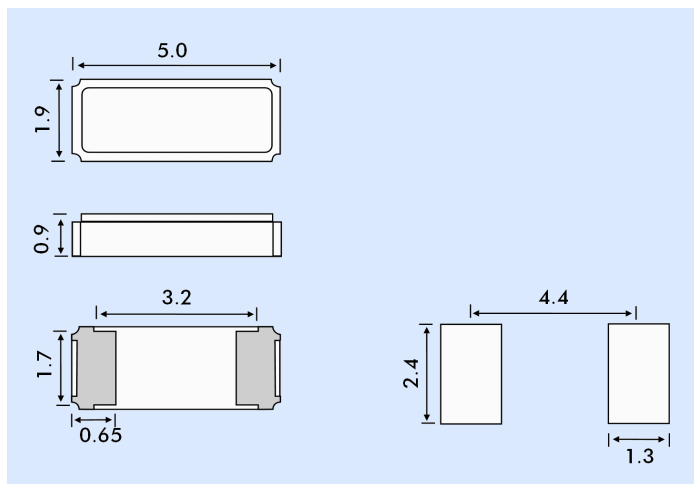
DESCRIPTION

FC crystals are ultra-miniature SMD components specifically designed to provide 32.768kHz for real-time clocks. Their ultra-small size and rugged construction make them suitable for a wide range of applications including battery powered, hand-held equipment and any application requiring miniaturization.

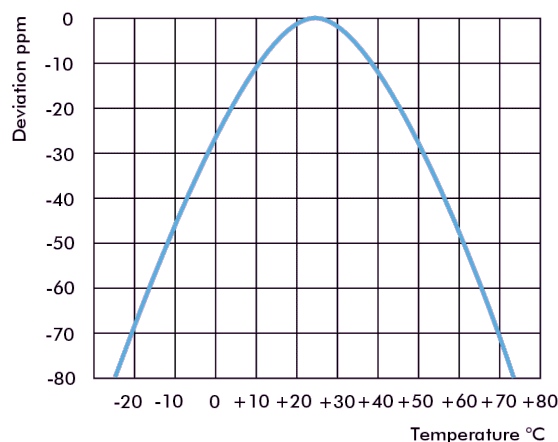
SPECIFICATION

Nominal Frequency:	32.7680kHz
Calibration Tolerance:	±20ppm of ±50ppm (standard)
Load Capacitance:	12.5pF standard or 7pF
Equivalent Series Resistance:	65kΩ maximum
Drive Level:	0.5μW maximum
Parabolic Coefficient:	-0.04ppm/°C ² maximum
Peak Temperature:	+25°±5°C
Shunt Capacitance (C0):	0.8pF typical
Motional Capacitance (C1):	1.9fF typical
Ageing:	±3ppm /year max. at +25°C
Insulation Resistance:	500MΩ min. @100VDC
Crystal Cut:	X-Cut
Operating Temperature Range:	-40° to +85°C
Storage Temperature Range:	-55°C to +125°C
Reflow Soldering:	10s max. @+260°C twice or <230°C for 180 seconds
RoHS Status:	RoHS Compliant, pB free
Packaging:	16mm EIA tape and reel 3000 pieces per reel

OUTLINE & DIMENSIONS



STABILITY OVER TEMPERATURE X-Cut Crystal



EUROQUARTZ STOCK NUMBERS

Frequency (kHz)	CL (pF)	Stock Number	Part Number
32.7680	12.5	PH32768S	32.768kHz FC -12.5pF
32.7680	7	PH32768T	32.768kHz FC -7pF