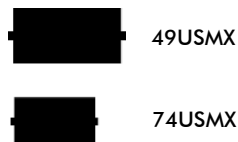


### FEATURES

- Low profile, reduced size SMD crystal
- Reduces footprint of 49USMX crystals by 50%
- Customized parts readily available

### SIZE COMPARISON



### DESCRIPTION

74USMX crystals are low profile surface mount crystals with a 50% reduced footprint over the popular 49USMX type crystals. 74USMX crystals are ideal for use in low cost, mass-market applications.

### SPECIFICATION

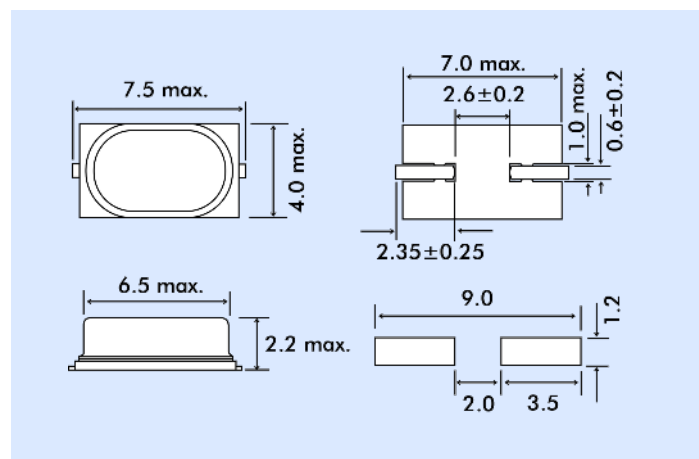
Frequency Range:	12.0MHz to 40MHz
Calibration Tolerance:	±30ppm at 25°C standard
Frequency Stability over Temp:	from ±50ppm over -10° ~ +70°
Storage Temperature Range:	-40° ~ +85°C
Shunt Capacitance (C0):	4pf typical, 7pF maximum
Load Capacitance (CL):	Series or from 10pF to 32pF (Customer specified)
Ageing:	±5ppm maximum (Ta = 25°C, drive 100µW)
Drive Level:	100µW maximum
Reflow Soldering:	260°C, 10s maximum
Holder:	Hermetic seal, resistance weld
Packaging:	EIA 24mm tape and reel 3000 pieces per reel
RoHS Status:	RoHS Compliant

### EQUIVALENT SERIES RESISTANCE

Frequency Range MHz	ESR Ω Max.
12.0~15.999	60
16.0~29.999	50
30.0 ~ 40.0	40



### OUTLINE & DIMENSIONS



### PART NUMBERS

