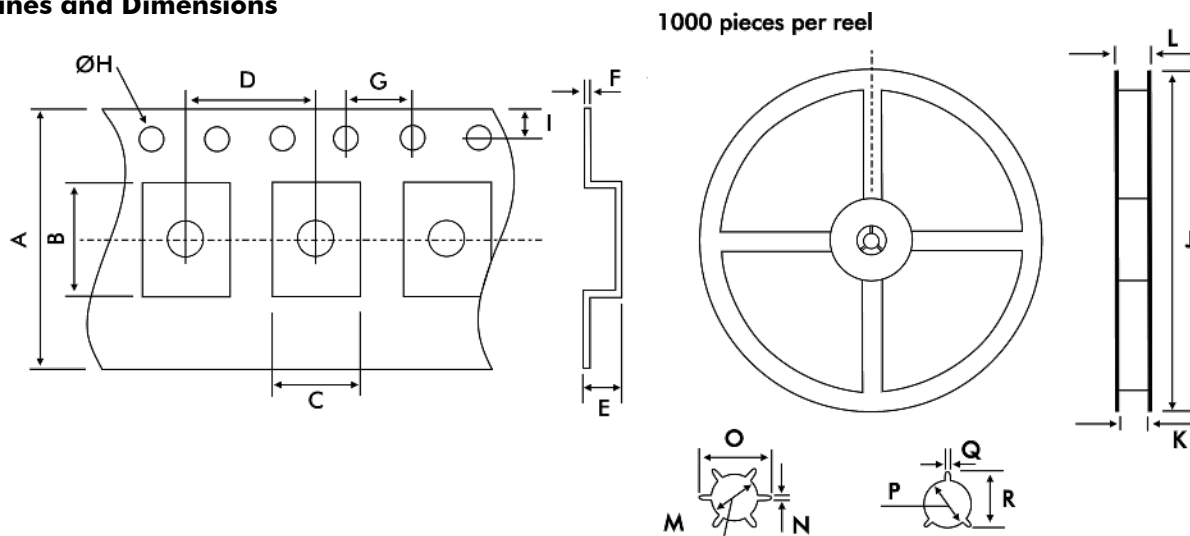


**TAPE & REEL SPECIFICATIONS FOR OSCILLATORS**
**Outlines and Dimensions**

**Tape Dimensions**

TYPE	A	B	C	D	E	F	G	H	I	pcs/reel
XO22	8	2.7	2.3	4	1.2	0.3	4.0	Ø1.0	1.8	3000
XO32	12	3.8	2.8	4	1.4	0.3	4.0	Ø1.5	1.8	3000
XO53	16	5.4	3.6	7.8	1.6	0.3	4.0	Ø1.5	1.8	1000
XO91	16	8	5.5	8.1	2	0.3	4.1	Ø1.4	1.8	1000
H_576	16	8	5.5	8.1	2	0.3	4.1	Ø1.4	1.8	1000
HP_576	16	8	5.5	8.1	2	0.3	4.1	Ø1.4	1.8	1000
HD_576	16	8	5.5	8.1	2	0.3	4.1	Ø1.4	1.8	1000
H_42	24.1	12.4	10.3	15.6	5.1	0.3	3.9	Ø1.45	1.8	500
H_44	24.1	12.4	10.3	15.6	5.1	0.3	3.9	Ø1.45	1.8	500

**Reel Dimensions**

TYPE	J	K	L	M	N	O	P	Q	R	pcs/reel
XO22	180	9.0	12	13.2	2.2	22.0	-	-	0	3000
XO32	180	12.8	17	13.2	2.2	22.0	-	-	-	3000
XO53	180	16.5	19.6	-	-	-	13.4	2.5	19.5	1000
XO91	180	16.5	19.6	-	-	-	13.4	2.5	19.5	1000
H_576	180	16.5	19.6	-	-	-	13.4	2.5	19.5	1000
HP_576	180	16.5	19.6	-	-	-	13.4	2.5	19.5	1000
HD_576	180	16.5	19.6	-	-	-	13.4	2.5	19.5	100
H_42	330	30.0	25.0	-	-	-	13.4	2.5	19.5	500
H_44	330	30.0	25.0	-	-	-	13.4	2.5	19.5	500