

- High Frequency Fundamental Crystal
- Low Jitter
- LVPECL output
- Industry-standard dual-in-line package



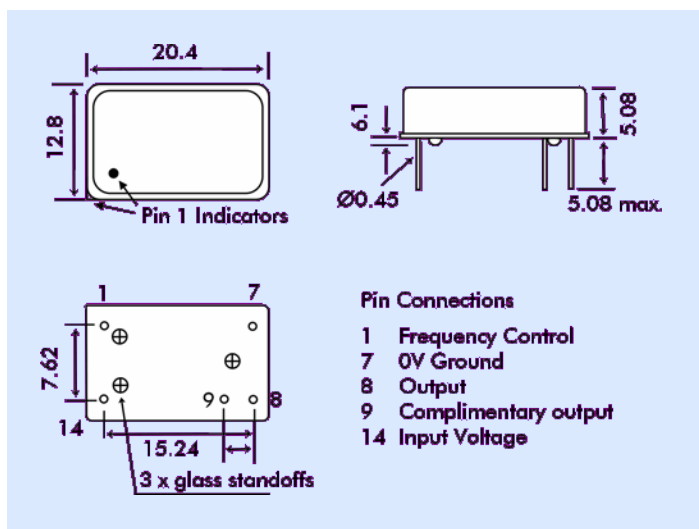
DESCRIPTION

ZN230 series VCXOs are packaged in the industry-standard 14 pin DIL package. The part uses high frequency fundamental crystals resulting in low jitter performance.

GENERAL SPECIFICATION

Frequency Range:	100.0MHz to 200.0MHz
Output:	LVPECL
Input Voltage:	+3.3VDC±5%, 5.0VDC option
Initial Stability:	±10ppm
Temperature Stability:	±30ppm over o.t.r.
Operating Temp. Range:	-40° to +85°C
Current Consumption:	<65mA
Rise and Fall Times:	<1ns
Symmetry:	50%±10%
Frequency Control:	>±100ppm, 0 ~ 3.3V
Load:	50Ω
Linearity:	<10% positive slope
Jitter:	<0.5ps (12kHz to 20MHz)

OUTLINES AND DIMENSIONS



PHASE NOISE

(At 155.52MHz, Typical)

Offset	dBc/Hz
10Hz	-60
100Hz	-90
1kHz	-120
10kHz	-135
100kHz	-140

PART NUMBERING

Example: **ZN230-100.0MHz**

