

5 x 3.2 x 1.2mm SMD Sine Wave VCXO

FEATURES

- Sine Wave output VCXO
- Output 10kΩ // 10pF load, 1.0V p-p
- Harmonics < 25dBc
- Low current consumption

DESCRIPTION

GSR53 sine wave VCXOs provide a true sine wave out output. The VCXOs are packaged in the industry-standard, 4 pad 5 x 3.2 x 1.2mm SMD package. The VCXO is produced to close tolerances and has low current consumption.

SPECIFICATION

Frequency Range:	10.0MHz to 30.0MHz
Input Voltage:	+2.8V, +3.3V±5% or +5.0VDC ±5%
Frequency Stability:	See table
Control Voltage Centre:	+2.5 VDC
Initial Frequency Accuracy:	±15ppm with Control V at +2.5VDC
Control Voltage Range:	+0.5V to +4.5VDC
Frequency Deviation Range:	±100ppm typical*
Output Wave Form:	True Sine Wave
Output Level:	10kΩ//10pF load, 1.0V p-p
Harmonics:	< -25dBc
Phase Noise:	-130dBc/Hz at 1kHz offset

Current Consumption

Supply = 2.8V:	1.0mA
Supply = 3.3V:	1.1mA
Supply = 5.0V:	1.2mA

Start-up Time:	2.0ms typical
Storage Temperature:	-50° to +125°C
Sub-Harmonics:	None
Ageing:	±5ppm per year maximum
Enable/Disable:	Not implemented - 4 pad package
RoHS Status:	Fully compliant

* Wider pulling range available

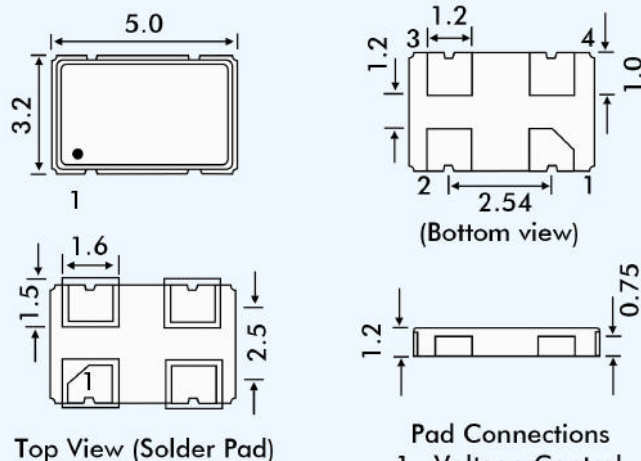
FREQUENCY STABILITY

Stability Code	Stability ±ppm	Temp. Range
A	25	0°~+70°C
B	50	0°~+70°C
C	100	0°~+70°C
D	25	-40°~+85°C
E	50	-40°~+85°C
F	100	-40°~+85°C

If non-standard frequency stability is required
Use 'I' followed by stability, i.e. I20 for ±20ppm



OUTLINE & DIMENSIONS



Pad Connections

- 1 Voltage Control
- 2 Ground
- 3 Output
- 4 Supply Voltage

PART NUMBERING

Example: **3GSR53-A-80N-25.000**

