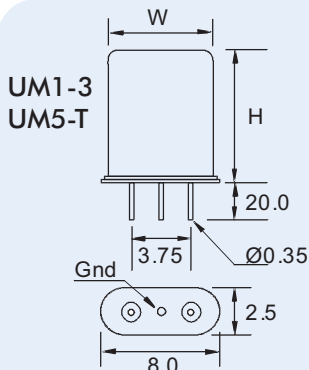
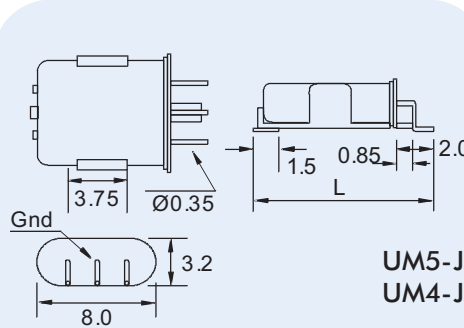


Cordless Telephone Applications



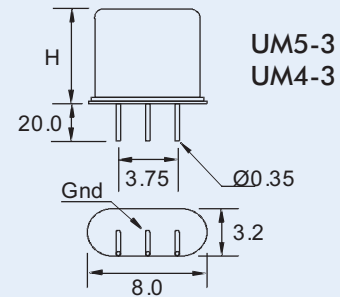
Outline and Dimensions

Case	H	W
UM1-3T	8.0	7.3 max.
UM5-T	6.0	7.2 max.



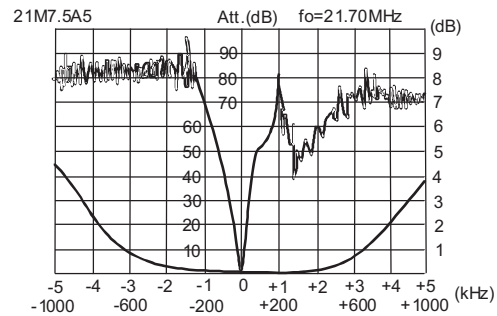
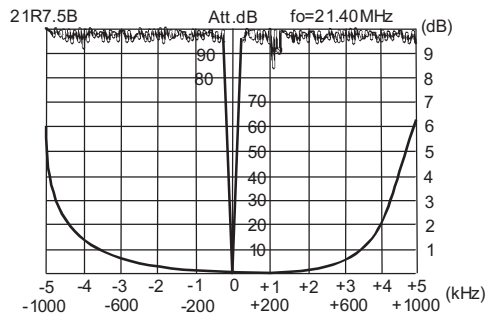
Outline and Dimensions

Case	H
UM5-J	4.7
UM4-J	6.0



Outline and Dimensions

Case	H
UM5-3	6.0
UM4-3	4.7



MCF Cordless Telephone Applications

Part Number	Nominal Frequency (MHz)	Poles	3dB Bandwidth (kHz)	Ripple (dB)	Insert. Loss (dB)	Stop B/W (kHz/dB)	Guaranteed Attenuation (dB/kHz)	Terminating Impedance (kΩ/pF)	Case Style
21M7.5A5	21.4	2	±3.75	0.5	2.0	±12.5/18	75/-910	1.5//6	UM1 - 3
21M7.5A9	21.4	2	±3.75	0.5	2.0	±12.5/18	75/-910	1.5//6	UM1 - T
21R7.5A9	21.4	2	±3.75	0.5	2.0	±12.5/18	75/-910	1.5//6	UM5 - J
21S7.5A5	21.4	2	±3.75	0.5	2.0	±12.5/18	75/-910	1.5//6	UM4 - 3
21M7.5B	21.5	4	±3.75	1.0	2.5	±12.5/35	90/±910	0.58//5	UM1 - 3x2
21R7.5B	21.6	4	±3.75	1.0	2.5	±12.5/35	90/±910	0.58//5	UM5 - 3x2
21S7.5B	21.7	4	±3.75	1.0	2.5	±12.5/35	90/±910	0.58//5	UM3 - 3x2
21R15A	21.7	2	±7.5	0.5	2.0	±25/18	75/-910	1.5//3	UM5 - 3
21S15A1	21.7	2	±7.5	0.5	2.0	±25/18	75/-910	1.5//2	UM4 - 3
21R15B	21.7	4	±7.5	1.0	2.5	±25/40	90/±910	1.5//2	UM5 - 3x2
26M8.0A2	26.05	2	±4	1.0	1.5	±12.5/18	75/-910	0.8//10.8	UM1 - 3
26R15A5	26.05	2	±7.5	0.5	2.0	±25/18	75/-910	1.5//4	UM5 - 3
26R15B5	26.05	4	±7.5	1.0	2.5	±25/40	90/±910	1.5//2.5	UM5 - 3x2
26M17B9	26.05	4	±8.5	1.0	3.0	±25/30	80/±910	1.1//2	UM1 - Tx2