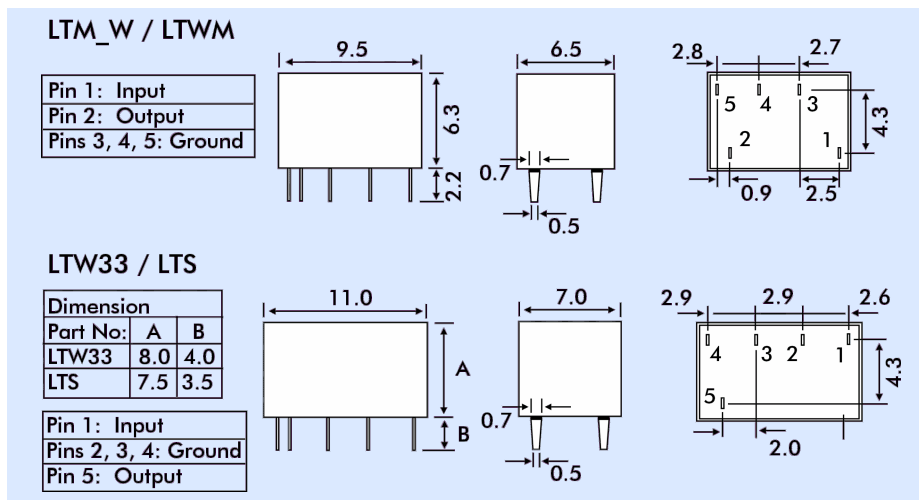


- Full-size, 6-element (LTW33)
- Medium-size, 6-element (LTS)



OUTLINES & DIMENSIONS



ELECTRICAL SPECIFICATION OF LTW33 / LTS / LTM_W / LTWM

Part Number	Insertion Loss dB max.	Pass Band Ripple dB max.	Bandwidth		Stop Band Att. ±100kHz dB max.	Input/Output Impedance Ω
			6dB kHz max.	50dB kHz max.		
			LTW33-455B/LTS455BW/LTM455BW	4		
LTW33-455C/LTS455CW/LTM455CW	4	2	±12.5	±24.0	40.0	1500
LTW33-455D/LTS455DW/LTM455DW	4	2	±10.0	±20.0	40.0	1500
LTW33-455E/LTS455EW/LTM455EW	6	2	±7.5	±15.0	40.0	1500
LTW33-455F/LTS455FW/LTM455FW	6	2	±6.0	±12.5	40.0	2000
LTW33-455G/LTS455GW/LTM455GW	6	2	±4.5	±10.0	40.0	2000
LTW33-455H/LTS455HW/LTM455HW	6	2	±3.0	±9.0	40.0	2000
LTW33-455I/LTS455IW/LTM455IW	6	2	±2.0	±7.5	40.0	2000
LTW33-455HT/LTS455HTW/LTM455HTW	6	2	±3.0	±9.0	60.0	2000
LTW33-455IT/LTS455IT/LTM455ITW	6	2	±2.0	±7.5	60.0	2000

Other frequencies and specifications are available upon request

Centre frequency 450kHz is also available.