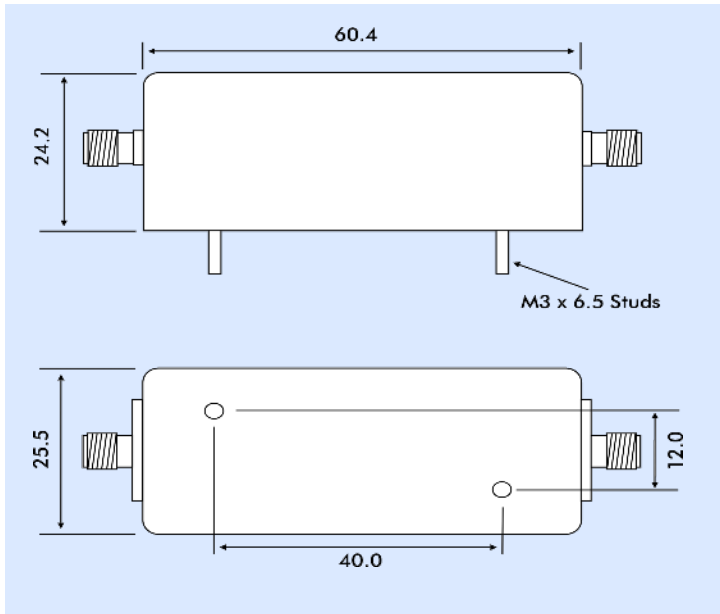


**High Frequency Crystal Filter - Narrow Band**

- High frequency crystal filter - narrow band

**OUTLINE & DIMENSIONS**



**SPECIFICATION**

Centre Frequency:	150.0MHz to 175.0MHz
±7.5kHz minimum:	3dB
±25kHz maximum:	30dB
±30kHz:	40dB
±40kHz:	50dB
Ultimate Attenuation:	60dB
Insertion Loss:	6dB maximum
Terminations:	50Ω
Poles:	4
Operating Temperature Range:	-20° to +70°C
Spurious:	20dB min (HF Band) typical 30dB

Part Number	Connector In	Connector Out	Connector Types	
FN07350	BNC Female	BNC Female	BNC - Female	BNF
FN07351	SMA Female	SMA Female	BNC - Male	BNM
FN07352	N Type Female	N Type Female	SMA - Female	SMF
FN07353	N Type Male	N Type Male	SMA - Male	SMM
FN07354	Please specify	Please specify	N Type - Female	NF
			N Type - Male	NM

**PART NUMBER GENERATION**

<b>150.000MHz</b> Frequency	<b>FN07354</b> Part Number	<b>BNF</b> Connector IN	/	<b>BNF</b> Connector OUT
--------------------------------	-------------------------------	----------------------------	---	-----------------------------