

- Frequency 32.768kHz
- Ultra-miniature package: 2.05 x 1.2 x 0.6mm
- Low mass, rugged construction
- Packaged in standard EIA tape and reel



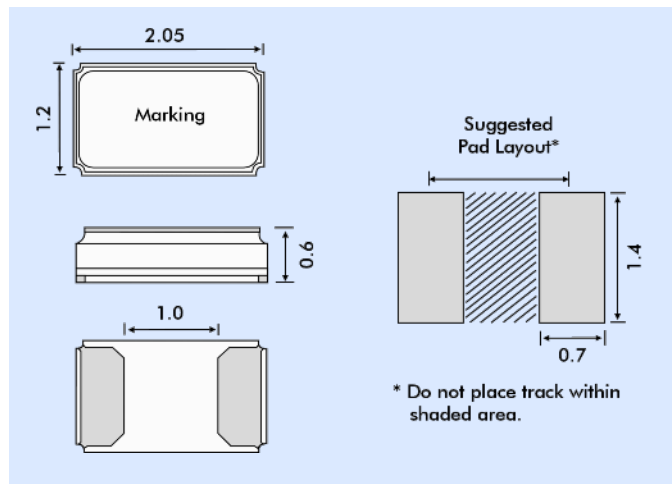
DESCRIPTION

EQ158 crystals provide 32.768kHz in an ultra-miniature package. The part is designed to provide the smallest possible component size for real-time clock applications. Their miniature size and rugged construction make them ideal for battery powered, hand-held equipment.

SPECIFICATION

| | |
|-------------------------------|---|
| Nominal Frequency: | 32.768kHz |
| Storage Temperature Range: | -55° to +125°C |
| Operating Temperature Range: | -40° to +85°C |
| Drive Level: | 0.5μW maximum |
| Standard Frequency Tolerance: | ±30ppm or ±50ppm <i>(tighter tolerances available)</i> |
| Turnover temperature: | ±25°C±5°C |
| Parabolic Coefficient: | -0.04ppm/°C ² maximum |
| Load Capacitance: | 12.5pF |
| Motional Resistance (ESR): | 65kΩ to 90kΩ maximum |
| Motional Capacitance: | 2.7fF to 7.0fF, 6.4fF typical |
| Shunt Capacitance: | 1.3pF typical, from 1.6pF to 0.8pF |
| Ageing: | ±3ppm max. in first year @25°C |

OUTLINE & DIMENSIONS



PART NUMBER AND SPECIFICATION

| Frequency (kHz) | CL (pF) | Stock Number | Tolerance (±ppm)/ Temp. Range (°C)/ Max. ESR (Ohms) |
|-----------------|---------|--------------|---|
| 32.7680 | 12.5 | PH32768V | 30/-40+85/90k |

STABILITY OVER TEMPERATURE X-Cut Crystal

