

- Frequency 32.7680kHz
- Light-weight SMD tuning fork crystal, low profile 0.75mm
- Ceramic package providing high precision and reliability
- Suitable for mobile telecoms and general applications



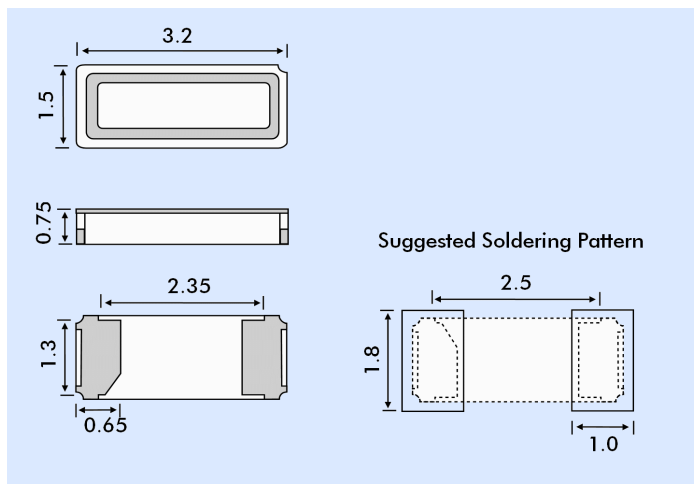
DESCRIPTION

EQ161 crystals provide 32.768kHz in a miniature SMD package. The 3.2 x 1.5 x 0.75mm ceramic package is reliable and rugged while remaining high precision.

SPECIFICATION

Nominal Frequency:	32.7680kHz
Load Capacitance:	9pF or 12.5pF
Drive Level:	0.2μW typical. 1.0μW maximum
Frequency Tolerance:	±20ppm @ 25°C
Equivalent Series Resistance:	80kΩ maximum
Turnover Temperature:	25°±5°C
Parabolic Coefficient:	-0.04ppm/°C ² maximum
Operating Temperature Range:	-40° to +85°C
Storage Temperature Range:	-40 to +85°C
Shunt Capacitance:	1.3pF typical
Packaging:	Tape and Reel, 3k pieces per reel
RoHS tatus:	RoHS Compliant

OUTLINE & DIMENSIONS



EUROQUARTZ STOCK NUMBERS

Frequency (kHz)	CL (pF)	Stock Number	Part Number
32.7680	12.5	PG32768C	32.768kHz EQ161-12.5pF
32.7680	9	PG32768D	32.768kHz EQ161-9pF

PART NUMBER

Example: 32.768kHz EQ161 - 12.5pF



STABILITY OVER TEMPERATURE X-Cut Crystal

