

## AT-Cut Crystal - Square Wave - 5.0 Volts 1.25MHz ~ 100.0MHz

- Frequency Range 1.25MHz to 100.0MHz
- 25.4 x 25.4 x 16.0mm 5 pin metal, solder-sealed package
- Supply Voltage 5.0 Volts
- AT-Cut Crystal
- Squarewave Output
- EFC (Voltage control) as standard



### DESCRIPTION

OC11T5A series oven-controlled crystal oscillators are close tolerance OCXOs with good phase noise performance.

### SPECIFICATION

Crystal Cut:	AT-cut
Output Waveform:	Square Wave
Supply Voltage:	+5.0 VDC $\pm$ 0.2V
Frequency Range:	1.25MHz to 100.0MHz
Initial Calibration Tolerance:	$\pm$ 0.5ppm max. (at $V_{CON}$ +2.5V)
Frequency Stability	
over 0° to +60°C:	$\pm$ 0.05ppm
over -20° to +70°C:	$\pm$ 0.1ppm
over -40° to +85°C:	$\pm$ 0.2ppm
vs. Voltage Change:	$<$ $\pm$ 20ppb for $\pm$ 5% change
vs. Ageing:	$\pm$ 5.0ppb max per day $\pm$ 0.5ppm per first year $\pm$ 3.0ppm over 10 years
vs. Load Change:	$<$ $\pm$ 20ppb for $\pm$ 5% change

Warm-up Time: 3 minutes max. to within  $\pm$ 0.5ppm of nominal freq.

### Voltage Control

Control Voltage Centre:	+2.5 Volts ( $V_{CON}$ )
Freq. Deviation Range:	$\pm$ 5.0ppm min., $\pm$ 20ppm max. ref. to 25°C and O.T.R.
Control Voltage Range:	2.5V $\pm$ 2.0Volts
Transfer Function:	Positive: Increasing control voltage increases output frequency
Input Impedance:	100k $\Omega$ minimum
EFC Linearity:	$\pm$ 10% maximum

Power Dissipation: 1.0W max. steady state  
3.0W max. at turn on

### Output

Load:	15pF HCMOS
Output Logic HIGH:	+4.5V minimum
Output Logic LOW:	0.5V maximum
Duty Cycle:	50% $\pm$ 10%
Rise/Fall Time:	5ns max (20%~80%) Frequency dependant

Reference Voltage: +4.0  $\pm$  0.3VDC or custom

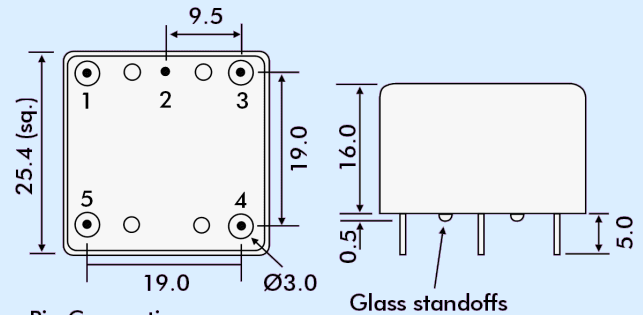
### Environmental

Storage Temperature:	-55° to +125°C
Shock:	2000g, 0.3ms $\frac{1}{2}$ sine
Vibration:	10 ~2000Hz / 10g

### PHASE NOISE (at 10MHz)

Offset	dBc/Hz
1Hz	-75
10Hz	-100
100Hz	-130
1kHz	-140
10kHz	-150

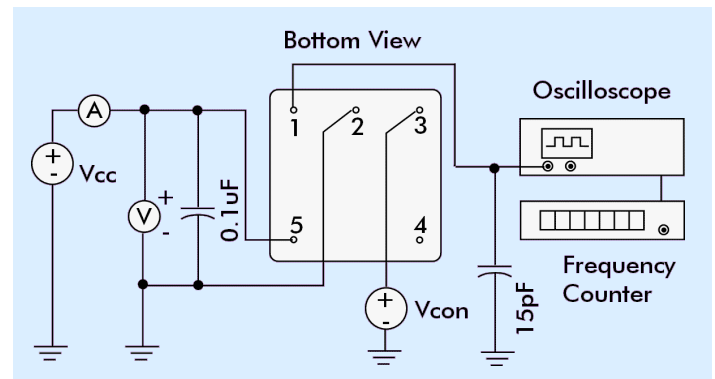
### OUTLINE & DIMENSIONS



### Pin Connections

- 1 RF output
- 2 Ground/case
- 3 Voltage control (EFC)
- 4 Reference Voltage Output
- 5 Supply Voltage

### TEST CIRCUIT



### PART NUMBER FORMAT

Example:

**OC11GT5A-10.000-0.1/-20+70**

OCXO Package: OC11

RoHS Compliance

G: RoHS Compliant

Blank: Non-compliant

T: Output Squarewave

5: Supply Voltage 5.0Volts

A: AT-Cut Crystal

Nominal Frequency 10.0MHz

Stability in  $\pm$ ppm

Operating Temperature Range °C

Lowest Temperature/Highest Temperature