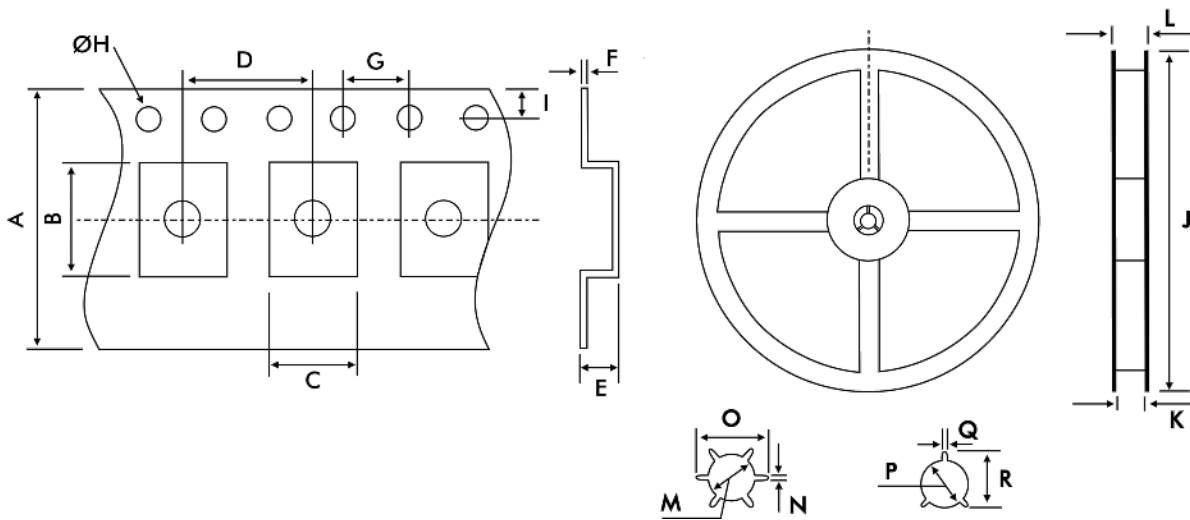


TAPE & REEL SPECIFICATIONS FOR CRYSTALS
Outlines and Dimensions

Tape Dimensions (mm)

TYPE	A	B	C	D	E	F	G	H	I	pcs/reel
X21	8.0	2.3	1.9	4.0	1.2	0.3	4.0	Ø1.0	1.7	3000
X22	8.0	2.7	2.3	4.0	1.2	0.3	4.0	Ø1.5	1.8	3000
X32	8.0	3.4	2.7	4.0	1.4	0.25	4.0	Ø1.5	1.75	3000
X42	12.0	4.3	2.8	8.0	1.0	0.3	4.0	Ø1.5	1.75	1000
MJ	12.0	5.3	3.6	8.0	1.4	0.3	4.0	Ø1.5	1.75	1000
MF	16.0	6.3	3.8	8.0	2.0	0.4	4.0	Ø1.5	1.7	1000
MQ	16.0	7.2	5.4	8.0	1.8	0.3	4.0	Ø1.5	1.75	1000
49USMX	24.0	13.7	5.6	8.0	4.5	0.4	4.1	Ø1.4	1.8	1000
49USMXL	24.0	13.7	5.6	7.8	3.7	0.4	4.1	Ø1.4	1.7	1000
MP4	24.0	13.1	5.6	7.9	5.5	0.5	4.0	Ø1.45	1.7	1000
MP5	24.0	13.1	5.6	7.9	5.5	0.5	4.0	Ø1.45	1.7	1000

Reel Dimensions (mm)

TYPE	J	K	L	M	N	O	P	Q	R	pcs/reel
X21	180	11.4	8.4	13.2	2.2	22.0	-	-	-	3000
X22	180	11.4	8.4	13.2	2.2	22.0	-	-	-	3000
X32	180	18.4	12.4	13.2	2.2	22.0	-	-	-	3000
X42	180	18.4	12.4	13.2	2.2	22.0	-	-	-	1000
MJ	180	19.6	16.5	-	-	-	13.4	2.5	19.5	1000
MF	180	19.6	16.5	-	-	-	13.4	2.5	19.5	1000
MQ	180	19.6	16.5	-	-	-	13.4	2.5	19.5	1000
49USMX	330	30.0	25.0	-	-	-	13.4	2.5	19.5	1000
49USMXL	330	30.0	25.0	-	-	-	13.4	2.5	19.5	1000
MP4	330	30.0	25.0	-	-	-	13.4	2.5	19.5	1000
MP5	330	30.0	25.0	-	-	-	13.4	2.5	19.5	1000